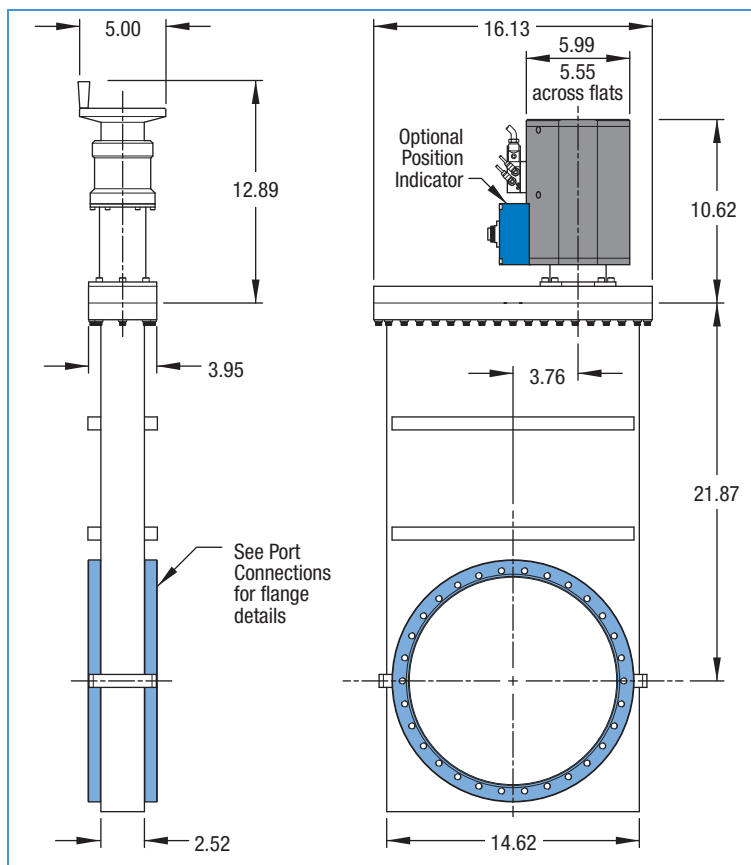


GV-12000M

GV-12000M-P



ULTRAHIGH VACUUM SERIES

250°C Metal Sealed Bonnets

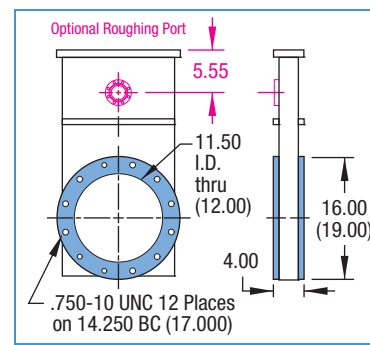
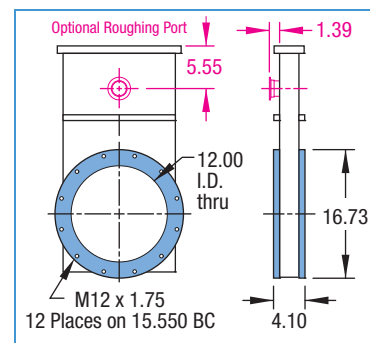
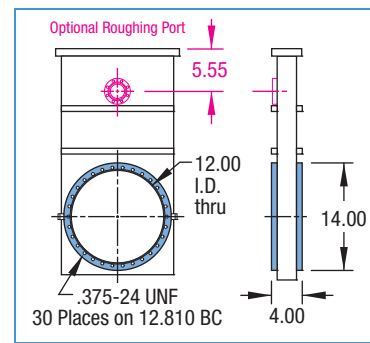
HIGH VACUUM SERIES

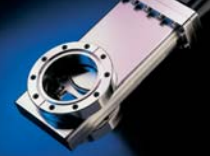
150°C FKM / FPM fluoroelastomer O-Ring Sealed Bonnets

Features

- FKM / FPM fluoroelastomer O-Ring Sealed Gates
- Stainless Steel Construction
- Manual or Electropneumatic Operation

PORT CONNECTIONS





ULTRAHIGH VACUUM SERIES

METAL SEAL BONNET 250°C¹

ACTUATOR	PORT FLANGE	FLANGE THREAD	BONNET SEAL	WEIGHT POUNDS	REFERENCE	PART NUMBER
MANUAL	DEL-SEAL	UNF	METAL	153	GV-12000M	302009
PNEUMATIC	DEL-SEAL	UNF	METAL	153	GV-12000M-P	303009

HIGH VACUUM SERIES

FKM / FPM SEAL BONNET 150°C¹

ACTUATOR	PORT FLANGE	FLANGE THREAD	BONNET SEAL	WEIGHT POUNDS	REFERENCE	PART NUMBER
MANUAL	DEL-SEAL	UNF	FKM/FPM	153	GV-12000V	300009
MANUAL	ISO	METRIC	FKM/FPM	148	LGV-12000V	306009
MANUAL	ASA10	UNC	FKM/FPM	153	GV-12000V-ASA	304007
MANUAL	ASA12	UNC	FKM/FPM	200	GV-12001V-ASA	304008
PNEUMATIC	DEL-SEAL	UNF	FKM/FPM	153	GV-12000V-P	301009
PNEUMATIC	ISO	METRIC	FKM/FPM	148	LGV-12000V-P	307009
PNEUMATIC	ASA10	UNC	FKM/FPM	153	GV-12000V-ASA-P	305007
PNEUMATIC	ASA12	UNC	FKM/FPM	200	GV-12001V-ASA-P	305008

¹ See page 166 for detailed bakeout specification

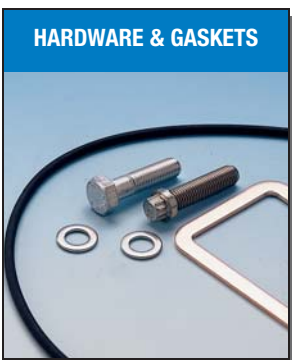
VALVE OPTIONS



DESCRIPTION	OPTION NUMBER
MECHANICAL POSITION INDICATOR	-01
24 VDC AIR CONTROL SOLENOID VALVE	-03
240 VAC AIR CONTROL SOLENOID VALVE	-09
2" ROUGHING PORT	-06
KALREZ HIGH TEMP O-RING	-11

When ordering Gate Valve Options, please add the option number(s) to the end of the desired UHV or HV Series Gate Valve Part Number listed above. For example 303016-09
Detailed descriptions of each option begin on page 164.

ACCESSORIES



GASKET KIT	MATERIAL	QUANTITY PER PACK	REFERENCE	PART NUMBER
GATE & BONNET SEAL	FKM/FPM	1 ²	GVG-12000	354009
GATE & BONNET SEAL	FKM/FPM & COPPER	1 ²	GVG-12000M	355009

HARDWARE	THREAD LENGTH	FOR USE WITH	QUANTITY PER PACK	REFERENCE	PART NUMBER
HEX HEAD SET	.375-24 x 1-3/4"	DEL-SEAL	30	BA-1003-SP	190506
METRIC HEX HEAD SET	M12, 40mm LONG	ISO	25	M12-40-SP	190173
HEX HEAD SET	.750-10 x 1-3/4"	ASA	24	GVBA-1200-SP	190178

² Each gasket kit contains one Bonnet and one Gate seal